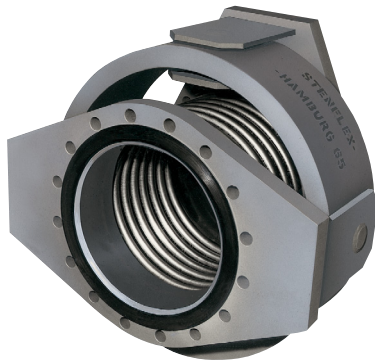




## Steel expansion joint - Type SF-33

Angular expansion joint, cardanic movable



Customized production

### Structure type SF-33

- Vacuum-proof angular expansion joint consisting of a stainless steel bellows with pipe ends and welded flanges
- Welded cardan hinge restraints to absorb reaction force

### Steel bellows PN 6 / PN 16

- Multiple convolution bellows in various stainless steel grades
- One ply or multi-ply structure

Material grade *	Material No. as per DIN EN	Temperature**	Possible uses
Stainless steel	1.4541	-196 °C	Low temperature, acids, lyes, gases, fertilizers
	1.4404, 1.4571	up to +550 °C +550 °C	Media containing chloride, oil, soap, drinking water, food stuff, petrol

\* Check or inquire about the resistance of material grades to temperature and medium.  
\*\* Check or inquire about reduction in pressure by temperature.

### Flanges

#### Version

- Welded flanges
- Flange drilling for through bolts

#### Dimensions

Standard: DN 50 - DN 500 (PN 6)  
DN 50 - DN 250 (PN 16)  
according to EN 1092

Others: DIN EN, ANSI, BS etc.

Connection dimensions see technical annex

#### Materials

Standard: 1.0038 (S235JR)

Others: stainless steel, etc.

#### Corrosion protection

Standard: anti-corrosion primed

Others: special varnish, etc.

### Pipe ends

#### Materials

Standard: 1.0305 (St 35.8),  
1.0038 (S235JR)

Others: stainless steel, etc.

#### Corrosion protection

Standard: anti-corrosion primed

Others: special varnish, etc.

### Note

Please comply with the general technical instructions regarding reaction force, moving force, fixed point load, installation instructions, etc.

Subject to technical alterations and deviations resulting from the manufacturing process.

### Applications

- for compensating angular movement in angular and deflecting pipe routings
- as double or triple joint compensation system for large movements
- for reducing tension
- for installation in
  - industrial applications
  - pipe line and plant construction

### Cardan hinge restraints

- Pivot of joint bars at center of bellows
- Hinge restraints control bellows movement

#### Materials

Standard: 1.0038 (S235JR)

Others: stainless steel, etc.

#### Corrosion protection

Standard: anti-corrosion primed

Others: special varnish, etc.

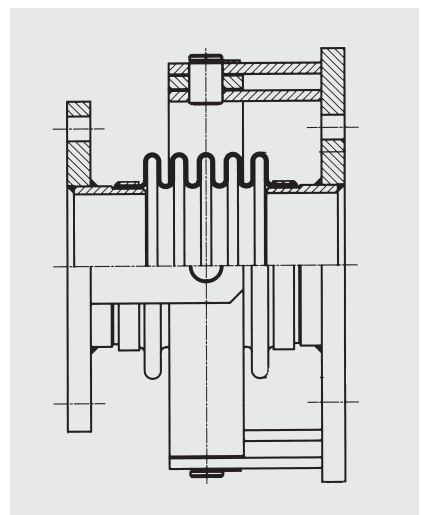
### Special designs

Other sizes (DN), lengths or pressure ratings on request.

### Certificates

- CE (DGR 97/23/EC)

### Version



Type SF-33