

Rubber-metal element - Type GMP-4

Buffer element, constricted cylindrical cross section with male thread



Structure type GMP-4

- Buffer element with threaded bolt (male thread) on both sides

Metal parts

- Material: 1.0038 (S235JR) / 8.8
- Corrosion protection: oiled or electrogalvanized

Rubber element

- Cylindrical rubber element with constricted cross section and metal plates vulcanized onto both sides

Rubber grade	Rubber hardness	Possible uses
NBR	hard – 70 Shore A medium – 60 Shore A soft – 45 Shore A	Water, gas, fuel oil, mineral oil

Dimensions/stress

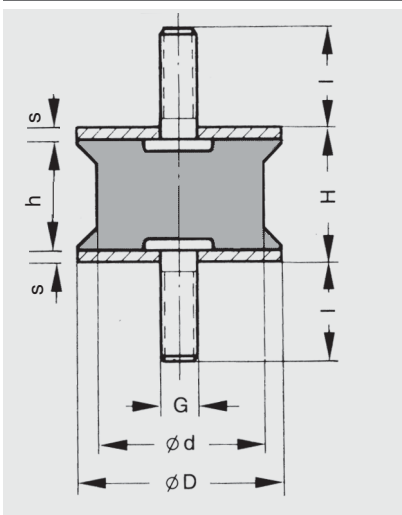
$\varnothing D$ mm	$\varnothing d$ mm	H mm	h mm	s mm	G mm	l mm	Rubber hardness Shore A	Compressive stress Spring rate C_z N/mm	Load F_{tol}^* N	Art. No.	Pck. qty.
25.0	22	22	16	3	M 8	21.0	70	320	770	51873000-00	60
25.0	22	22	16	3	M 8	21.0	60	200	480	51873100-00	60
25.0	22	22	16	3	M 8	21.0	45	120	280	51873200-00	60
40.0	35	28	22	3	M 10	16.5/21.5	60	330	1090	51882900-00	20
40.0	35	28	22	3	M 10	26.5	70	530	1740	51882000-00	20
40.0	35	28	22	3	M 10	26.5	60	330	1090	51882300-00	20
40.0	35	28	22	3	M 10	26.5	45	190	640	51882600-00	20
55.0	45	36	30	3	M 10	22.0	60	370	1670	00005945-00	8
60.0	50	60	54	3	M 10	26.5	70	340	2590	51882200-00	8
60.0	50	60	54	3	M 10	26.5	60	200	1620	51882500-00	8
60.0	50	60	54	3	M 10	26.5	45	110	950	51882800-00	8
80.0	70	70	64	4	M 14	37.0	70	540	5220	51882100-00	8
80.0	70	70	64	4	M 14	37.0	60	340	3260	51882400-00	8

* F_{tol} is the **tolerable static permanent load**: a dynamic alternating load can be superimposed. The stated tolerable loads are only approximate indications for the static load. Delivery only possible in the stated packaging quantities (far-right column).

Applications

- for high, dynamic peak stresses with good fatigue strength
- highly versatile in e.g.
 - mechanical engineering
 - electrical industry
- for damping sound and vibration
- for compressive stress
- for shearing stress
- for superimposed compressive/shearing stress
- less susceptible to tensile stress than types GMP-1, GMP-2 and GMP-3

Version



Type GMP-4
Both sides with male thread

Note

Please comply with general technical instructions. Subject to technical alterations and deviations resulting from the manufacturing process.