

Rubber-metal element - Type GMP-3

Buffer element, cylindrical cross section with female thread



Structure type GMP-3

- Buffer element with nut thread (female thread) on both sides

Metal parts

- Material: 1.0038 (S235JR) / 8.8
- Corrosion protection: oiled or electrogalvanized

Rubber element

- Cylindrical rubber element with metal plates vulcanized onto both sides

Rubber grade	Rubber hardness	Possible uses
NBR	hard – 70 Shore A medium – 60 Shore A soft – 45 Shore A	Water, gas, fuel oil, mineral oil

Applications

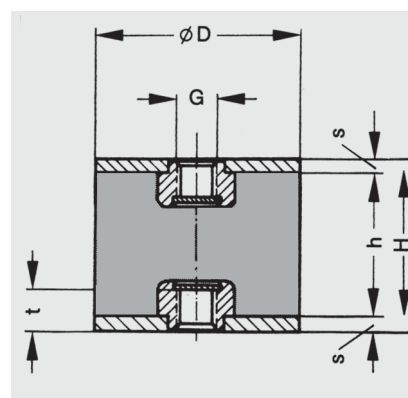
- for simple elastic bearings
- highly versatile in e.g.
 - mechanical engineering
 - electrical industry
- for damping sound and vibration
- for compressive stress
- for shearing stress
- for superimposed compressive/shearing stress

Dimensions/stress

ø D mm	H mm	h mm	s mm	G mm	l mm	Rubber hardness Shore A	Compressive stress Spring rate C _z N/mm	Load F _{tol} * N	Art. No.	Pck. qty.
20	25	22	1.5	M 6	6.5	60	120	170	51872000-00	80
20	25	22	1.5	M 6	6.5	45	70	100	51872500-00	80
30	30	24	3.0	M 8	9.5	60	360	430	51880900-00	60
30	30	24	3.0	M 8	9.5	45	210	250	51881300-00	60
40	30	24	3.0	M 10	9.5	60	550	660	51881000-00	40
50	30	24	3.0	M 10	10.5	70	1680	1520	51871600-00	20
50	30	24	3.0	M 10	10.5	60	1050	950	51872100-00	20
50	30	24	3.0	M 10	10.5	45	620	560	51872600-00	20
50	40	34	3.0	M 10	10.5	70	660	1570	51880700-00	20
50	40	34	3.0	M 10	10.5	60	410	980	51881100-00	20
75	50	44	3.0	M 12	12.5	70	980	3620	51880800-00	12
75	50	44	3.0	M 12	12.5	60	610	2010	51881200-00	12
75	50	44	3.0	M 12	12.5	45	360	1180	51881600-00	12
100	60	54	3.0	M 16	16.5	70	1360	4900	51871700-00	4
100	60	54	3.0	M 16	16.5	60	850	3060	51872200-00	4
100	60	54	3.0	M 16	16.5	45	500	1800	51872700-00	4
150	75	65	5.0	M 20	17.5	60	1630	9050	51872300-00	4
150	75	65	5.0	M 20	17.5	45	960	5320	51872800-00	4
200	100	90	5.0	M 20	17.5	60	2030	18880	51872400-00	4

* F_{tol} is the **tolerable static permanent load**: a dynamic alternating load can be superimposed.
The stated tolerable loads are only approximate indications for the static load.
Delivery only possible in the stated packaging quantities (far-right column).

Version



Type GMP-3
With female thread

Note

Please comply with general technical instructions. Subject to technical alterations and deviations resulting from the manufacturing process.