

Rubber-metal element - Typ GMP-2

Buffer element, cylindrical cross section with male and female thread



Structure type GMP-2

- Buffer element, one side with threaded bolt (male thread), other side with nut thread (female thread)

Metal parts

- Material: 1.0038 (S235JR) / 8.8
- Corrosion protection: oiled or electrogalvanized

Rubber element

- Cylindrical rubber element with metal plates vulcanized onto both sides

Rubber grade	Rubber hardness	Possible uses
NBR	hard – 70 Shore A	Water, gas, fuel oil, mineral oil
	medium – 60 Shore A	
	soft – 45 Shore A	

Dimensions/stress

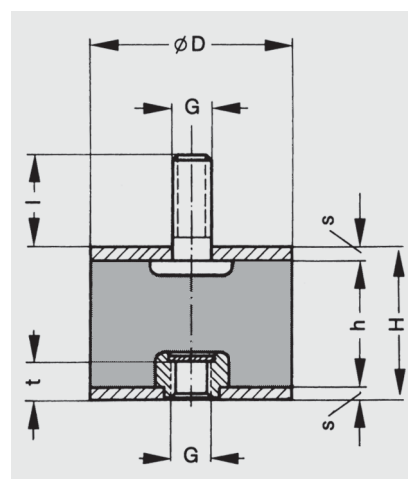
ø D mm	H mm	h mm	s mm	G mm	l mm	t mm	Rubber hardness Shore A	Compressive stress Spring rate c _z N/mm	Load F _{tol} * N	Art. No.	Pck. qty.
20	25	21.5	2/1.5	M 6	16.0	6,5	70	140	290	51870000-00	100
20	25	21.5	2/1.5	M 6	16.0	6,5	60	80	180	51870500-00	100
20	25	21.5	2/1.5	M 6	16.0	6,5	45	50	100	51871000-00	100
25	20	16.5	2/1.5	M 6	11.0	6,6	70	300	470	51870100-00	80
25	20	16.5	2/1.5	M 6	11.0	6,6	60	140	290	51870600-00	80
30	20	15.5	2.5/2	M 8	13.0	6,5	70	650	900	51870200-00	60
30	20	15.5	2.5/2	M 8	13.0	6,5	60	410	560	51870700-00	60
30	20	15.5	2.5/2	M 8	13.0	6,5	45	240	330	51871200-00	60
30	20	14.5	2.5/3	M 8	16.0	6,5	70	670	820	00005942-00	60
30	20	14.5	2.5/3	M 8	16.0	6,5	60	420	510	00005943-00	60
30	30	24.0	3	M 8	21.0	9,5	70	340	740	51878000-00	60
30	30	24.0	3	M 8	21.0	9,5	60	210	460	51878700-00	60
30	30	24.0	3	M 8	21.0	9,5	45	120	270	51879400-00	60
30	40	34.0	3	M 8	21.0	9,5	60	110	410	51870800-00	60
30	40	34.0	3	M 8	21.0	9,5	45	60	240	51871300-00	60
40	30	24.0	3	M 8	21.0	9,5	60	340	740	51870900-00	40
40	30	24.0	3	M 8	21.0	9,5	45	200	440	51871400-00	40
50	40	34.0	3	M 10	26.5	10,5	70	550	2000	51878200-00	20
50	40	34.0	3	M 10	26.5	10,5	60	350	1240	51878900-00	20
50	40	34.0	3	M 10	26.5	10,5	45	210	730	51879600-00	20
75	50	44.0	3	M 12	39.0	12,5	70	930	4600	51878400-00	12
75	50	44.0	3	M 12	39.0	12,5	60	600	2850	51879100-00	12
75	50	44.0	3	M 12	39.0	12,5	45	310	1680	51879800-00	12
100	40	34.0	3	M 16	44.0	16,5	70	3100	6700	51879300-00	4
100	40	34.0	3	M 16	44.0	16,5	60	1600	4200	51878600-00	4
100	40	34.0	3	M 16	44.0	16,5	45	1000	2500	51880000-00	4

* F_{tol} is the tolerable static permanent load: a dynamic alternating load can be superimposed.
The stated tolerable loads are only approximate indications for the static load.
Delivery only possible in the stated packaging quantities (far-right column).

Applications

- for simple elastic bearings
- highly versatile in e.g.
 - mechanical engineering
 - electrical industry
- for damping sound and vibration
- for compressive stress
- for shearing stress
- for superimposed compressive/shearing stress

Version



Type GMP-2
With male and female thread

Note

Please comply with general technical instructions. Subject to technical alterations and deviations resulting from the manufacturing process.