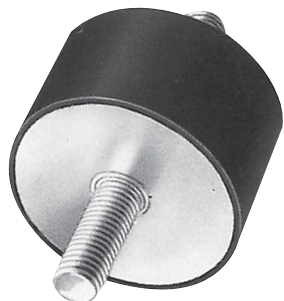




## Rubber-metal element - Type GMP-1

Buffer element, cylindrical cross section with male thread



### Rubber element

Cylindrical rubber element with metal plates vulcanized onto both sides

Rubber grade	Rubber hardness	Possible uses
<b>NBR</b>	<b>hard – 70 Shore A</b>	<b>Water, gas, fuel oil, mineral oil</b>
	<b>medium – 60 Shore A</b>	
	<b>soft – 45 Shore A</b>	

### Dimensions/stress

ø D mm	H mm	h mm	s mm	G mm	l mm	Rubber hardness Shore A	Compressive stress		Art. No.	Pck. qty.
							Spring rate $C_z$ N/mm	Load $F_{tol}^*$ N		
18	8.5	4.5	2,0	M 6	11.0	70	800	540	00005938-00	100
18	8.5	4.5	2,0	M 6	11.0	60	500	340	00005939-00	100
18	8.5	4.5	2,0	M 6	11.0	45	300	200	00005940-00	100
18	8.5	4.5	2,0	M 6	16.0	70	800	540	51897600-00	100
20	15.0	11.0	2,0	M 6	16.0	60	180	300	51875800-00	100
20	15.0	11.0	2,0	M 6	16.0	45	110	180	51876600-00	100
25	20.0	14.0	3,0	M 6	16.0	70	350	740	51875100-00	60
25	20.0	14.0	3,0	M 6	16.0	60	220	460	51875900-00	60
25	20.0	14.0	3,0	M 6	16.0	45	130	270	51876700-00	60
30	15.0	10.0	2,5	M 8	21.0	60	590	880	51897700-00	60
30	20.0	14.0	3,0	M 8	21.0	70	570	1190	51875200-00	60
30	20.0	14.0	3,0	M 8	21.0	60	360	750	51876000-00	60
30	20.0	14.0	3,0	M 8	21.0	45	210	440	51876800-00	60
30	30.0	24.0	3,0	M 8	20.0	60	160	580	51897800-00	60
30	30.0	24.0	3,0	M 8	20.0	45	90	340	51898700-00	60
40	30.0	24.0	3,0	M 8	21.0	60	320	1150	51876100-00	20
40	40.0	34.0	3,0	M 8	21.0	70	320	1620	51875400-00	20
40	40.0	34.0	3,0	M 8	21.0	60	200	1020	51876200-00	20
50	20.0	14.0	3,0	M 10	18.5	70	2430	5100	51897000-00	12
50	20.0	14.0	3,0	M 10	18.5	60	1520	3190	51897900-00	12
50	20.0	14.0	3,0	M 10	18.5	45	890	1880	51898800-00	12
50	24.0	18.0	3,0	M 10	26.5	70	1490	4020	51897100-00	12
50	24.0	18.0	3,0	M 10	26.5	60	930	2510	51898000-00	12
50	30.0	24.0	3,0	M 10	26.5	70	900	3220	51875500-00	12
50	30.0	24.0	3,0	M 10	26.5	60	550	2010	51876300-00	12
50	30.0	24.0	3,0	M 10	26.5	45	330	1180	51877100-00	12
50	40.0	34.0	3,0	M 10	26.5	70	540	2770	51897200-00	12
50	40.0	34.0	3,0	M 10	26.5	60	340	1730	51898100-00	12
50	45.0	39.0	3,0	M 10	26.5	60	270	1580	51898200-00	12
50	45.0	39.0	3,0	M 10	26.5	45	160	930	51899100-00	12
75	55.0	49.0	3,0	M 12	39.0	70	640	4700	51897400-00	4
75	55.0	49.0	3,0	M 12	39.0	60	400	2940	51898300-00	4
75	55.0	49.0	3,0	M 12	39.0	45	235	1730	51899200-00	4
100	30.0	24.0	3,0	M 16	44.0	70	6160	22170	51897500-00	4
100	30.0	24.0	3,0	M 16	44.0	60	3850	13860	51898400-00	4
100	60.0	54.0	3,0	M 16	44.0	70	1360	11020	51875700-00	4
100	60.0	54.0	3,0	M 16	44.0	60	850	6890	51876500-00	4
100	60.0	54.0	3,0	M 16	44.0	45	500	4050	51877300-00	4

\*  $F_{tol}$  is the tolerable static permanent load: a dynamic alternating load can be superimposed.  
The stated tolerable loads are only approximate indications for the static load.  
Delivery only possible in the stated packaging quantities (far-right column).

### Applications

- for simple elastic bearings
- highly versatile in e.g.
  - mechanical engineering
  - electrical industry
- for damping sound and vibration
- for compressive stress
- for shearing stress
- for superimposed compressive/shearing stress

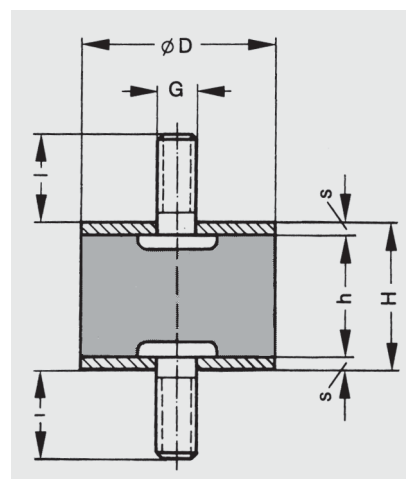
### Structure type GMP-1

Buffer element with threaded bolt (male thread) on both sides

### Metal parts

- Material: 1.0038 (S235JR) / 8.8
- Corrosion protection: oiled or electrogalvanized

### Version



**Type GMP-1**  
Both sides with male thread

### Note

Please comply with general technical instructions. Subject to technical alterations and deviations resulting from the manufacturing process.