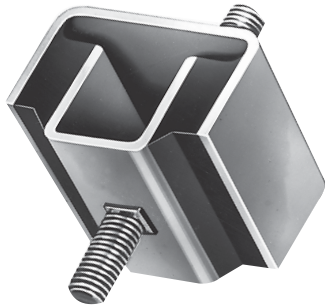


Rubber-metal element - Type GML-U

Bearing element with male thread



Applications

- for elastic bearing of sensitive measuring instruments
- for shock-reducing bearing of apparatus and equipment
- for shearing stress
- for damping sound and vibration

Structure type GML-U

- Bearing element with U-profiles and attached threaded bolts (male thread)

Metal parts

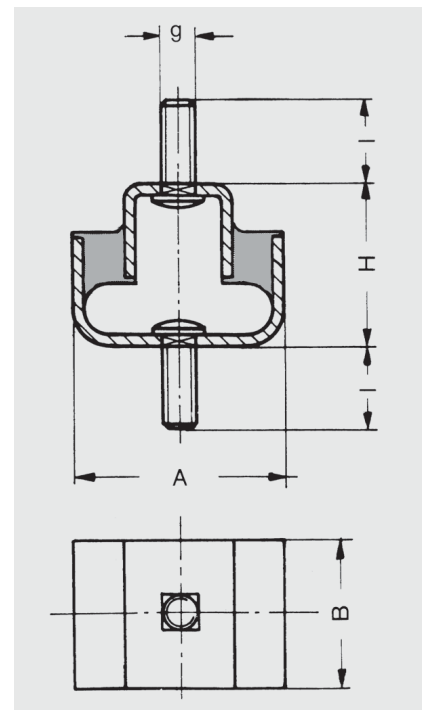
- Material: 1.0038 (S235JR) / 8.8
- Corrosion protection: oiled or electrogalvanized

Rubber element

- Highly-elastic hollow rubber profile with vulcanized metal U-profiles

Rubber grade	Rubber hardness	Possible uses
NBR	hard – 70 Shore A medium – 60 Shore A soft – 45 Shore A	Water, gas, fuel oil, mineral oil

Version



Type GML-U
Both sides with male thread

Dimensions/stress

A	B	H	g	I	Rubber hardness Shore A	Vertical stress		Art. No.	Pck. qty.
						Spring excursion max. mm	Load F_{tol}^* N		
52	35	36	M 8	21	70	6	1600	51894500-00	12
52	35	36	M 8	21	60	6	1200	51894700-00	12
52	35	36	M 8	21	45	6	800	51894900-00	12
54	50	40	M 10	26	70	6	900	51894600-00	8
54	50	40	M 10	26	60	6	600	51894800-00	8
54	50	40	M 10	26	45	6	350	51895000-00	8

* F_{tol} impact or exciter forces must remain small. Tolerable static load values should only be exceeded to a minimum extent.
Delivery only possible in the stated packaging quantities (far-right column).

Note

Stress only possible in the direction of the threaded bolts' axis, i.e. shearing stress on the rubber element.

Please comply with general technical instructions. Subject to technical alterations and deviations resulting from the manufacturing process.