

Rubber-metal element - Type GML-R

Bearing element with through hole and centering collar



Structure type GML-R

- Bearing element with through hole for fastening with through bolts

Metal parts

- Material: 1.0038 (S235JR)
- Corrosion protection: oiled or electrogalvanized

Rubber element

- Cylindrical rubber element with metal plates vulcanized onto both sides

Rubber grade	Rubber hardness	Possible uses
NBR	hard – 70 Shore A	Water, gas, fuel oil, mineral oil
	medium – 60 Shore A	
	soft – 45 Shore A	

Dimensions/stress

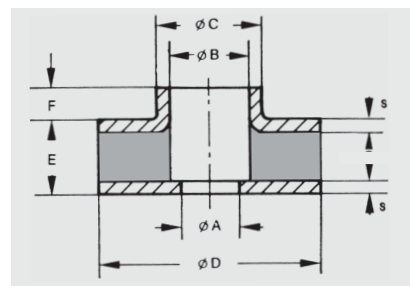
$\varnothing D$ mm	$\varnothing A$ mm	$\varnothing B$ mm	$\varnothing C$ mm	E mm	F mm	s mm	Rubber hardness Shore A	Compression stress Spring rate c_z N/mm	Load F_{tol}^* N	Art. No.	Pck. qty.
36	6.2	10	15	10	6.0	1.0	70	2000	2600	51895500-00	50
36	6.2	10	15	10	6.0	1.0	60	1350	1600	51895900-00	50
36	6.2	10	15	10	6.0	1.0	45	800	950	51896300-00	50
36	8.5	12	18	10	4.0	1.0	70	1550	1900	51895600-00	50
36	8.5	12	18	10	4.0	1.0	60	1000	1200	51896000-00	50
36	8.5	12	18	10	4.0	1.0	45	620	700	51896400-00	50
36	16.6	17	20	8	3.0	1.0	70	1900	1800	51874000-00	50
36	16.6	17	20	8	3.0	1.0	60	1250	1100	51874100-00	50
36	16.6	17	20	8	3.0	1.0	45	770	650	51874200-00	50
50	16.5	20	23	13	9.5	1.5	70	2200	3700	51895700-00	50
50	16.5	20	23	13	9.5	1.5	60	1500	2300	51896100-00	50
60	20.5	24	27	13	10.5	1.5	70	3000	6100	51895800-00	25
60	20.5	24	27	13	10.5	1.5	60	2000	3800	51896200-00	25
60	20.5	24	27	13	10.5	1.5	45	1050	2200	51896600-00	25

* F_{tol} is the tolerable static permanent load: a dynamic alternating load can be superimposed. The stated tolerable loads are only approximate indications for the static load. Delivery only possible in the stated packaging quantities (far-right column).

Applications

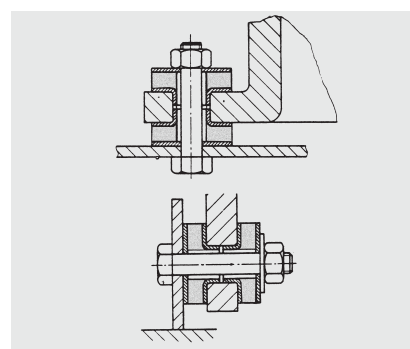
- highly versatile in e.g.
 - mechanical engineering
 - electrical industry
- for elastic bearing
- for compressive stress
- for shearing stress
- for superimposed compressive/shearing stress
- also for tensile stress (for pre-tensioned arrangement in pairs)
- for damping sound and vibration

Version



Type GML-R

With bore hole for through bolts



Arranged in pairs to interrupt structure-borne vibration

Note

Please comply with general technical instructions. Subject to technical alterations and deviations resulting from the manufacturing process.